

# Liquid Filled Pressure Gauge

Model No. **SS-3070 Series**

**KINS**



**SS-3071**



**SS-3074**

## Summary

This gauge is proper for measuring the pressure in place where mechanical vibration and pulsation are heavy because its interior devices are precipitated in silicon liquid and by doing this, it is able to suppress vibration which is used by the viscosity resistance of liquid. This pressure gauge guarantees its performance and the life span as it has relatively better durability than other general pressure gauges because it prevents abrasion of the interior devices using lubricative fluid.

### Safety Management

- Do not give impact during the transportation, installation and usage
- Be sure to install pressure gauge to be horizontal and vertical.

### Purpose of Use

- Various plants such as petrochemistry, etc.
- Oil pressure press, etc. where a lot of vibration and pulsation exist
- Where a lot of temperature changes exist
- For shipbuilding and power plant
- For industrial use, special fluid line, etc.

### Production Specification

- ▶ Diameter
  - 60, 75, 100, 150 mm
- ▶ Accuracy
  - 60, 75mm : ±1.5% of Full Scale
  - 100, 150mm : ±1.0% of Full Scale
- ▶ Working Pressure
  - Static pressure : 75% of Full Scale
  - Fluctuating pressure : 60% of Full Scale
- ▶ Working Temperature
  - Ambient : - 20 ~ 65 °C
  - Fluid : - 20 ~ 80 °C
- ▶ Degree of protection
  - IP67

### ▶ Range

60mm	- 0.1 ~ 2 MPa
75mm	- 0.1 ~ 0 MPa 0 ~ 35 MPa
100mm	- 0.1 ~ 2 MPa
150mm	- 0.1 ~ 0 MPa 0 ~ 200 MPa

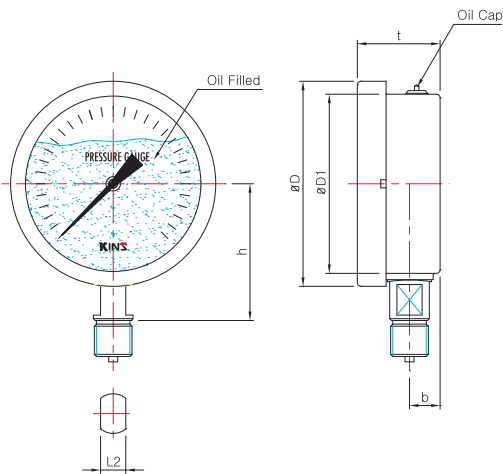
### Product Specification

- |  |  |   |
|--|--|---|
| <ul style="list-style-type: none"> <li>+ Case                             <ul style="list-style-type: none"> <li>· STS 304</li> </ul> </li> <li>+ Cover                             <ul style="list-style-type: none"> <li>· STS 304</li> <li>· Slip-on-Fit</li> </ul> </li> <li>+ Connection                             <ul style="list-style-type: none"> <li>· STS 316</li> <li>· PF, PT ↔ 1/4, 3/8</li> <li>· UNF 7/16</li> </ul> </li> <li>+ Window                             <ul style="list-style-type: none"> <li>· Tempered safety glass,</li> <li>· Laminated safety glass</li> </ul> </li> </ul> | <ul style="list-style-type: none"> <li>+ Type                             <ul style="list-style-type: none"> <li>· A-Type (Rimless type)</li> <li>· B-Type (Surface type)</li> <li>· D-Type (Flush mounting type)</li> <li>· BD-Type (Panel attachment type)</li> </ul> </li> <li>+ Pointer                             <ul style="list-style-type: none"> <li>· Aluminum</li> <li>· Black coating</li> </ul> </li> <li>+ Dial                             <ul style="list-style-type: none"> <li>· Aluminum</li> <li>· White color coating</li> <li>· Black (MPa), red (bar) gradations and characters</li> </ul> </li> </ul> | <ul style="list-style-type: none"> <li>+ Filling Liquid                             <ul style="list-style-type: none"> <li>· Silicone oil or Glycerin oil</li> </ul> </li> <li>+ Element                             <ul style="list-style-type: none"> <li>· STS 304, STS 316</li> <li>· C type bourdon tube, helical type bourdon tube</li> </ul> </li> <li>+ Movement                             <ul style="list-style-type: none"> <li>· STS 304</li> </ul> </li> <li>+ Option                             <ul style="list-style-type: none"> <li>· Bracket</li> <li>· Throttles</li> <li>· Accessories</li> </ul> </li> </ul> |
|--|--|---|

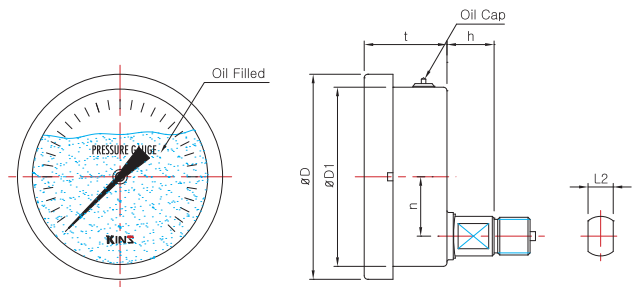
# Liquid Filled Pressure Gauge

## Model No. SS-3070 Series

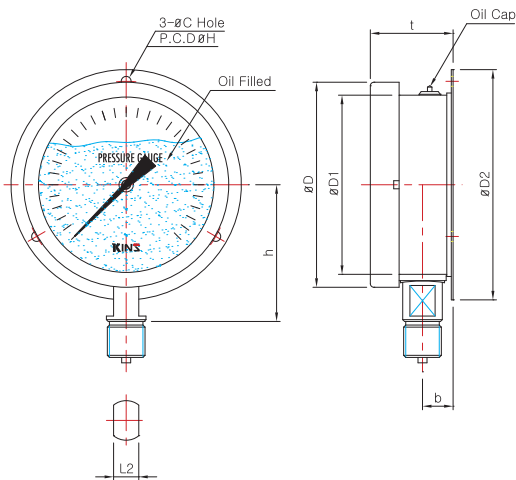
**Model No. | SS-3071**  
A Type (60, 75, 100, 150mm)



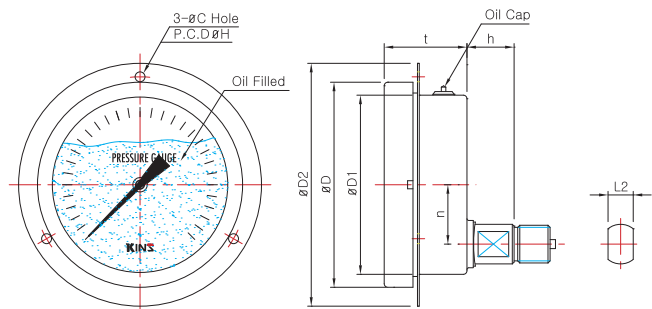
**Model No. | SS-3073**  
D Type (60, 75, 100, 150mm)



**Model No. | SS-3072**  
B Type (60, 75, 100, 150mm)



**Model No. | SS-3074**  
BD Type (60, 75, 100, 150mm)



Pressure Gauge

Differential Pressure Gauge & Switch

Accessories of Pressure Gauge

Thermometer & Thermometer Switch

Thermocouple & R.T.D

Thermowell

Transmitter

Indicator etc.

Technical data

**Dimensions (mm)**

	Model No.	Conn'n (d)	ØD	ØD1	ØD2	b	n	t	L2	h	ØC(OB)	ØH
60mm	SS-3071 & SS-3072	UNF 7/16	72	64	84	12	-	(39)	12	(48)	4.5	72
		NPT & PT, PF 1/8										
		NPT & PT, PF 1/4										
	SS-3073 & SS-3074	UNF 7/16	72	64	90	-	18	(39)	12	(20)	4.5	81
		NPT & PT, PF 1/8										
		NPT & PT, PF 1/4										
75mm	SS-3071 & SS-3072	UNF 7/16	87	77	100	14	-	(40)	14	(54)	4.5	88
		NPT & PT, PF 1/4										
		NPT & PT, PF 3/8										
	SS-3073 & SS-3074	UNF 7/16	87	77	107	-	22	(40)	14	(17)	4.5	97
		NPT & PT, PF 1/4										
		NPT & PT, PF 3/8										
100mm	SS-3071 & SS-3072	UNF 7/16	114	100	128	17	-	(46)	17	(76)	5.5	115
		NPT & PT, PF 1/4										
		NPT & PT, PF 3/8										
		NPT & PT, PF 1/2										
	SS-3073 & SS-3074	UNF 7/16	114	100	135	-	33	(46)	17	(26)	5.5	120
		NPT & PT, PF 1/4										
NPT & PT, PF 3/8												
NPT & PT, PF 1/2												
150mm	SS-3071 & SS-3072	UNF 7/16	168	152	188	17	-	(50)	17	(100)	5.5	174
		NPT & PT, PF 1/4										
		NPT & PT, PF 3/8										
		NPT & PT, PF 1/2										
	SS-3073 & SS-3074	UNF 7/16	168	152	188	-	33	(50)	17	(26)	5.5	174
		NPT & PT, PF 1/4										
NPT & PT, PF 3/8												
NPT & PT, PF 1/2												

\*( )The measurement in the blanket is approximate.

- Pressure Gauge
- Differential Pressure Gauge & Switch
- Accessories of Pressure Gauge
- Thermometer & Thermometer Switch
- Thermocouple & R.T.D
- Thermowell
- Transmitter
- Indicator etc.
- Technical data